

Fully Automatic Coiler WA-800-4

Innovative Winding Technology for Consistent Production



Perfect Technology

- Quick coil change
- Two-fold drive on the infeed for tandem coil processing
- Teach-in procedure: during coil positioning (very easy operation)
- Diameter scan for optimized immersion and winding angle (continuously variable channel)
- Siemens text display for operating messages
- Siemens control system
- Contactless loop control with infrared light
- Programmable Sample length and ejection frequency
- Rotating paper monitors
- Electromagnetic paper braking system with adjustable braking values

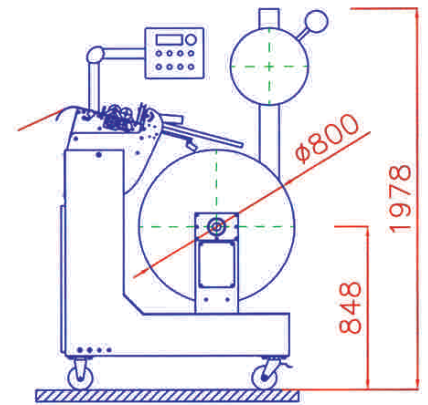
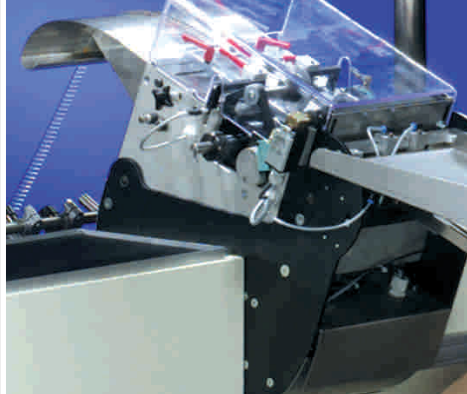
Technical Data

Fully Automatic Coiler WA-800-4

Optional Accessories

- Wider coils
- Coil diameter up to \varnothing 1300 mm
- Integrated camera monitoring system

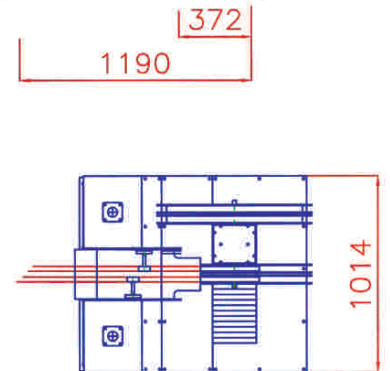
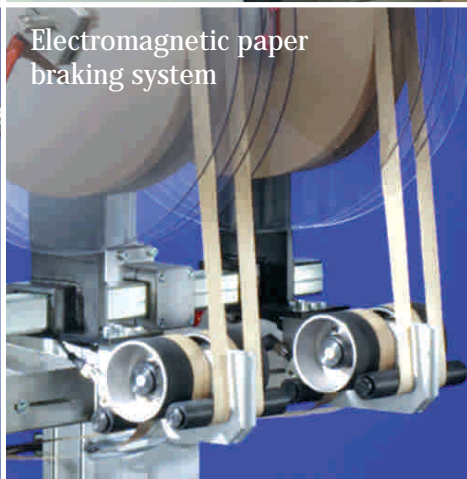
Stepless descending infeed unit



Control panel



Electromagnetic paper braking system



Model	WA-800-4	WA-1000-4
Number of coils	4	4
Coil diameter	\varnothing 800 mm	\varnothing 1000 mm
Type of winding	4 x 1 and 2 x 2	4 x 1 and 2 x 2
Speed	25 m/min	25 m/min
Loading capacity per coil	Standard 40 kg	Standard 40 kg
Material width	2 x 75 mm	2 x 75 mm
Electrical connection	3 x 400 V, N + PE 50 Hz/16 A	3 x 400 V, N + PE 50 Hz/16 A
Dimensions (L x W x H) in mm	1190 x 1014 x 1978	1250 x 1014 x 1978

HURAS AUTOMATION GMBH
 Boschstrasse 10
 75236 Kaempfelbach-Bilfingen
 Germany

Phone: +49 (7232) 31-5802
 Fax: +49 (7232) 31-5803

E-mail: huras@huras-automation.de
www.huras-automation.de