

Pallet Decoiler with Height-Adjustable Turntable HPB-1500-H Innovative Winding Technology for Quality Material



Perfect Technology

- Strip pullers with segment rollers
- Speed-controlled turntable via contactless loop control
- Dancer-controlled paper coiler
- Height-adjustable turntable with a stroke up to 800 mm
- Material tension query for tool protection
- Strip end detector for automatic stop of press
- High load carrying capacity (max. 2000 kg)

Superior winding for prepunched, roll-clad and dressed material

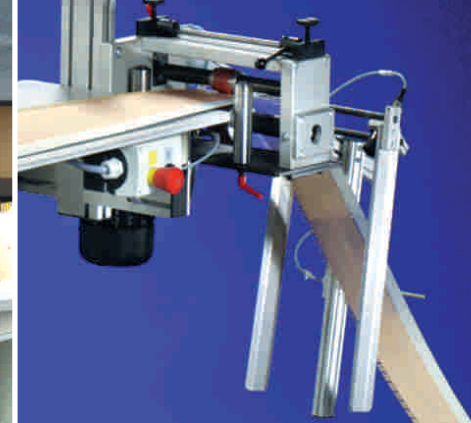
Technical Data

**Pallet Decoiler with
Height-Adjustable
Turntable
HPB-1500-H**

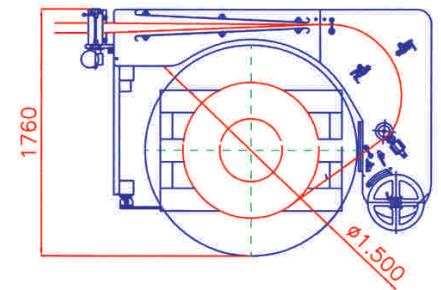
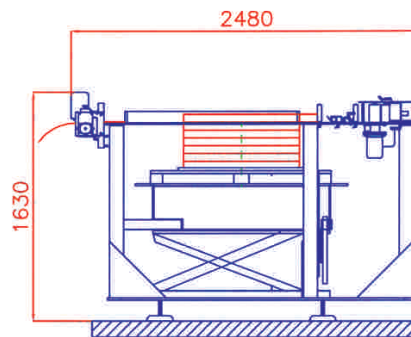
Contactless loop query



Strip puller with segment rollers



Paper coiler



Model	HPB-1500-H
Turntable	Ø 1500 mm
Loading capacity	2000 kg
Speed	Standard 25 m/min
Direction of rotation	Both sides
Material width, max.	Standard 180 mm
Material thickness, max.	Standard approx. 1.2 mm
Electrical connection	3 x 400 V, N + PE 50 Hz/16 A
Dimensions (L x W x H) in mm	2480 x 1760 x 1630

HURAS AUTOMATION GMBH
Boschstrasse 10
75236 Kaempfelbach-Bilfingen
Germany

Phone: +49 (7232) 31-5802
Fax: +49 (7232) 31-5803

E-mail: huras@huras-automation.de
www.huras-automation.de