

# Pallet Decoiler with Precision Straightener HPR-1500

Innovative Winding Technology for Exacting Coiling Requirements



## Perfect Technology

- Speed-controlled precision straightener
- Dancer-controlled turntable
- High load carrying capacity due to rugged welded construction
- Material tension query for tool protection
- Synchronous drive of the lower straightening rollers and the pulling roller
- Gentle and tensionless decoiling
- Strip end detector for automatic stop of press
- Easy operation
- Contactless loop control with visible infrared light
- Easy cleaning of straightening rollers and drive roll

## Technical Data

### Pallet Decoiler with Precision Straightener HPR-1500

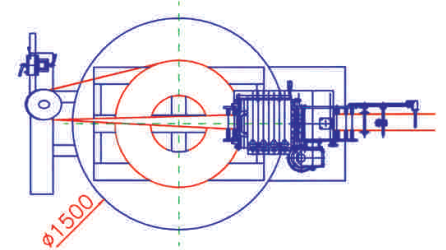
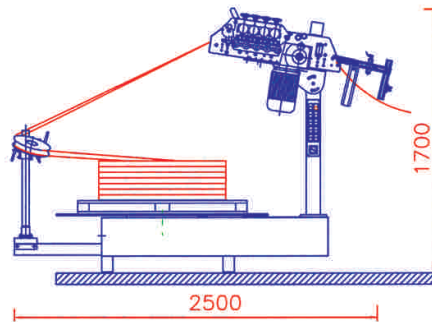
#### Optional Accessories

- Wider precision straighteners (up to 350 mm)
- Support arm for strip thickness  $\geq 1$  mm (standard on the HPR-1500-ST)
- Various table diameters
- Material clamping system
- Speed-controlled paper coiler for tearable paper
- Contactless loop control with ultrasound for material speeds  $\geq 25$  m/min

Easy cleaning of the straightening roller



Dancer control



Model	HPR-1500-LN	HPR-1500	HPR-1500-ST
Turntable	Ø 1500 mm	Ø 1500 mm	Ø 1500 mm
Loading capacity	3000 kg	3000 kg	3000 kg
Speed	Standard 25 m/min	Standard 25 m/min	Standard 25 m/min
Direction of rotation	Both sides	Both sides	Both sides
Material width, max.	Standard 80 mm	Standard 130 mm	Standard 200 mm
Material thickness	0.1 mm to 0.8 mm	0.2 mm to 1.5 mm	0.3 mm to 2.5 mm
Number of straightening rollers	11 (6 upper, 5 lower)	9 (4 upper, 5 lower)	9 (4 upper, 5 lower)
Straightening roller diameter	Ø 15 mm	Ø 40 mm	Ø 50 mm
Electrical connection	3 x 400 V, N + PE 50 Hz/16 A	3 x 400 V, N + PE 50 Hz/16A	3 x 400 V, N + PE 50 Hz/16A
Dimensions (L x W x H) in mm	2500 x 1500 x 1700	2500 x 1500 x 1700	2550 x 1500 x 1700

Control panel



HURAS AUTOMATION GMBH  
 Boschstrasse 10  
 75236 Kaempfelbach-Bilfingen  
 Germany

Phone: +49 (7232) 31-5802  
 Fax: +49 (7232) 31-5803

E-mail: [huras@huras-automation.de](mailto:huras@huras-automation.de)  
[www.huras-automation.de](http://www.huras-automation.de)