

Pivoting Head Reel SAW-1200-2

Innovative Winding Technology for Individual Zones



Perfect Technology

- Coil change by pivoting the winding axis 180°
- Coil weight per axis 50 kg
- Suitable for cardboard, plastic, and wooden coils
- Gentle and tensionless coiling and decoiling
- Material tension query for tool protection
- Easy operation
- Contactless loop control with infrared light

Technical Data

Pivoting Head Reel SAW-1200-2

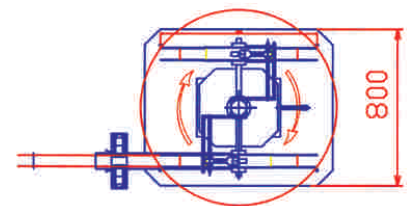
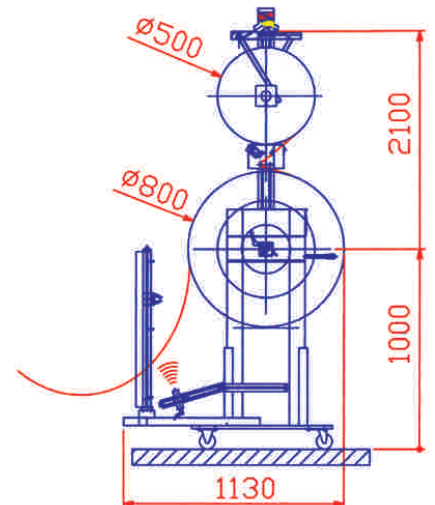
Optional Accessories

- Load carrying capacity 300 kg
- Paper coiler via rotary magnetic motor (for decoiler version)
- Central spreader for coiling of bulk material
- Coil diameter \varnothing 1300 mm
- Speed-controlled paper coiler for tearable paper
- Contactless loop control with ultrasound

Central spreader
for coiling
of bulk
material



Control panel



Model	SAW-1200-2
Number of coils	2
Loading cap. per axis	50 kg
Coil diameter	Up to \varnothing 1200 mm
Speed	25 m/min
Electrical connection	3 x 400 V, N + PE 50 Hz/16 A
Dimensions (L x W x H) in mm	1130 x 800 x 2100

HURAS AUTOMATION GMBH
 Boschstrasse 10
 75236 Kaempfelbach-Bilfingen
 Germany

Phone: +49 (7232) 31-5802
 Fax: +49 (7232) 31-5803

E-mail: huras@huras-automation.de
www.huras-automation.de