

Pivoting Vertical Coiler with Crane Loading WWK-1100-2

Innovative Winding Technology for Perfect Handling

Reduces processing time
by up to 50%!



Perfect Technology

- Coils pivot 180°
- In-process loading and unloading
- Intermediate paper layer
- Contactless loop query by fork sensor

Standard or custom coil containers available

- Crane load up to 250 kg per coil
- Material tension query for tool protection
- Easy operation

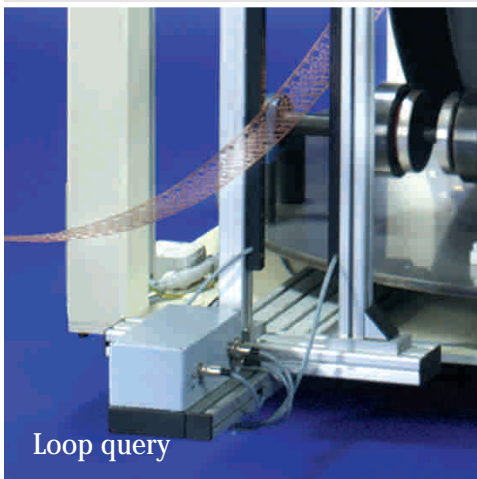
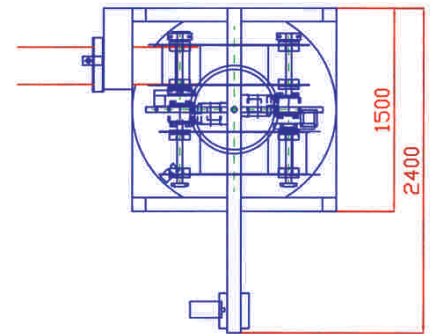
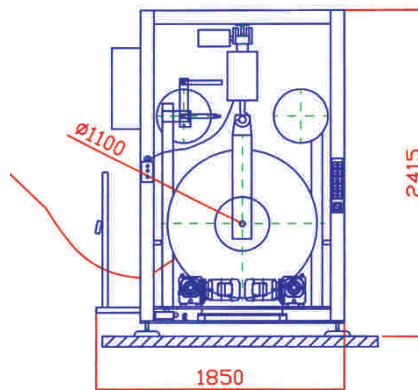
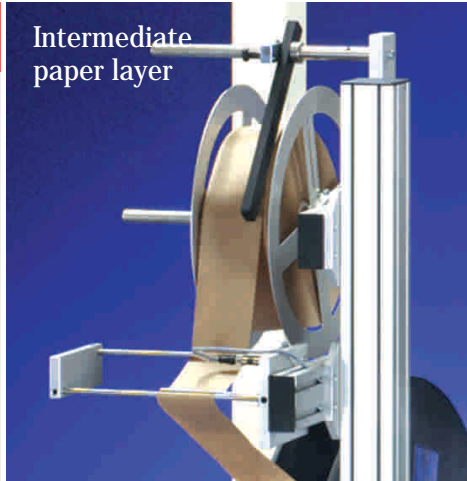
Technical Data

Pivoting Vertical Coiler with Crane Loading WWK-1100-2

Optional Accessories

- Available as decoiler
- Electromagnetic paper braking system with adjustable braking values
- Coil lifting device

Intermediate paper layer



Model	WWK-1100-2	WK-1100-2
Number of coils	2	1
Loading capacity per coil	250 kg	250 kg
Coil diameter	Ø 800 to Ø 1100 mm	Ø 800 to Ø 1100 mm
Speed	Standard 25 m/min	Standard 25 m/min
Material width, up to:	Standard 300 mm	Standard 300 mm
Electrical connection	3 x 400 V, N + PE 50 Hz/16 A	3 x 400 V, N + PE 50 Hz/16 A
Dimensions (L x W x H) in mm	1850 x 1500 x 2415	1850 x 1000 x 2415

HURAS AUTOMATION GMBH
Boschstrasse 10
75236 Kaempfelbach-Bilfingen
Germany

Phone: +49 (7232) 31-5802
Fax: +49 (7232) 31-5803

E-mail: huras@huras-automation.de
www.huras-automation.de