

# Reel Coiler/Decoiler AWP-800-1

Innovative Winding Technology for Simple Applications



## Perfect Technology

- Manual coil change
- Coil weight per axis 50 kg
- Suitable for cardboard, plastic, and wooden coils
- Gentle and tensionless coiling and decoiling
- Material tension query for tool protection
- Easy operation
- Contactless loop control with infrared light

## Technical Data

### Reel Coiler/Decoiler AWP-800-1

#### Optional Accessories

- Load carrying capacity 300 kg
- Paper coiler via rotary magnetic motor (for decoiler version)
- Central spreader for coiling of bulk material
- Coil diameter  $\varnothing$  1200 mm
- Speed-controlled paper coiler for tearable paper
- Contactless loop control with ultrasound

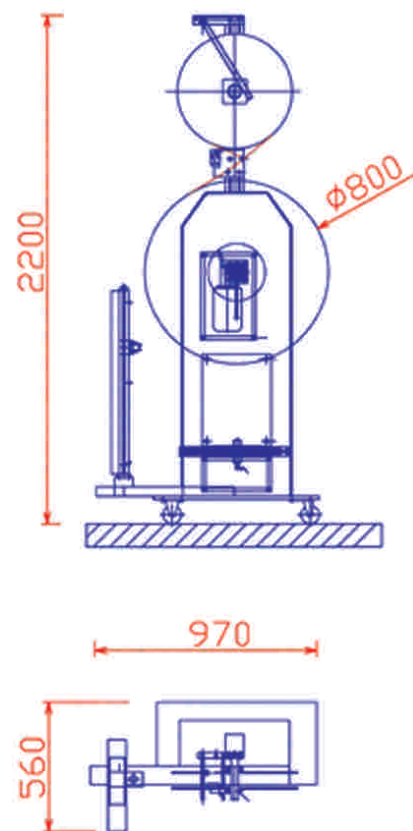
Infrared loop control



Control panel



Central spreader



Model	AWP-800-1
Number of coils	1
Loading cap. per axis	50 kg
Coil diameter	Up to $\varnothing$ 1000 mm
Speed	25 m/min
Electrical connection	3 x 400 V, N + PE 50 Hz/16 A
Dimensions (L x W x H) in mm	970 x 560 x 2200

HURAS AUTOMATION GMBH  
 Boschstrasse 10  
 75236 Kaempfelbach-Bilfingen  
 Germany

Phone: +49 (7232) 31-5802

Fax: +49 (7232) 31-5803

E-mail: [huras@huras-automation.de](mailto:huras@huras-automation.de)  
[www.huras-automation.de](http://www.huras-automation.de)